

Sixfold strain gauge summing-up box

Characteristics



- Input: 6 strain gauge full bridges (350 ohms)
- Output: 1 strain gauge summing-up signal
- Sensors: 4- or 6-wire
- Sensor supply: internally / out of amplifier
- Supply internally: Input: 12...30 VDC
Output: 10 VDC 200 mA
- Cascade circuit possible
- Connection: screwed pin and socket, lockable
- Cable entry: 7 screwed cable glands M16x1,5

Technical data

Input

Strain gauge: up to 6 full bridges 350 ohms
 Wire: 4- or 6 wire
 Programming: with solder bridge

Output

Strain gauge: Summing-up signal
 Sensor supply (option): 10 VDC 200 mA maximum

Power supply sensor (optionally)

Supply: 12...30 VDC
 Output: 10 VDC 200 mA
 Power consumption: approx. 2 W
 Residual ripple: 300 mV

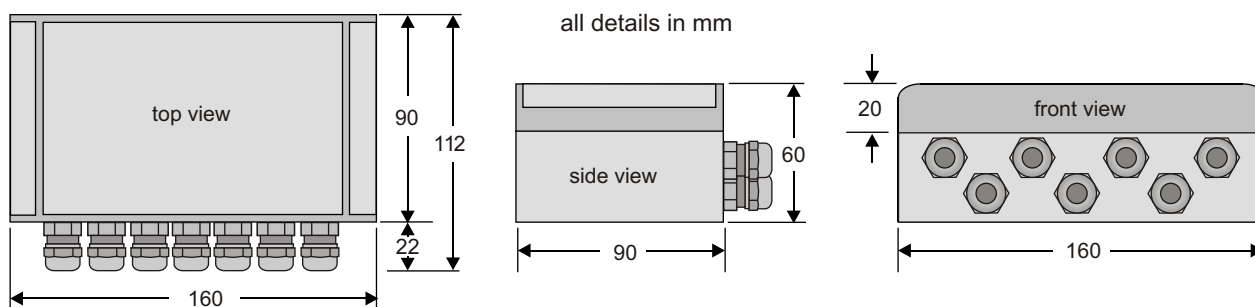
Ambient conditions

Operating temperature: -20...+60°C
 Storing temperature: -20...+70°C

Mechanics

Enclosure: aluCase AC 092 160 x 90 x 60 mm with clip-on design covers
 Material: die-cast aluminium
 Mounting: covered screw channels
 Colour: RAL 9006 (aluminium white)
 Protection: degree IP 65
 Weight: approx. 0,8 kg (with options)
 Connection: multipole pin and socket connector, lockable up to maximum 1,5 mm² (MC 1,5/7-STF-3,81)
 Cable entry: 7 screwed cable glands M16x1,5

Dimensions



Applications

The summing-up box is for use in ranges, where load and force measuring with several measuring points has to be done with just one measuring amplifier, eg in container terminals, silo works or overhead cranes. Due to the robust design it is for nearly all application



Ordering code

| | | | | | | | | | | | |
|---|---|---|---|---|---|---|---|---|---|---|---|
| S | D | X | X | X | X | X | X | - | X | X | X |
|---|---|---|---|---|---|---|---|---|---|---|---|

| | | |
|-----------------------------|----------------------------------|---|
| Input: | 6 strain gauge full bridges | 0 |
| Ausgang: | 1 strain gauge summing-up signal | 0 |
| Anschluss: | via srewed cable glands | 0 |
| Power supply: | without | 0 |
| | with | 1 |
| Other / accessories: | special model | 0 |

Connection

Strain gauge sensor 1

| | | | | | | |
|--------|-------|---|--------|---|--------|---|
| ⊥ | - | + | - | + | - | + |
| 1 | 2 | 3 | 4 | 5 | 6 | 7 |
| shield | sense | | supply | | signal | |



Strain gauge sensor 2

| | | | | | | |
|--------|-------|---|--------|---|--------|---|
| ⊥ | - | + | - | + | - | + |
| 1 | 2 | 3 | 4 | 5 | 6 | 7 |
| shield | sense | | supply | | signal | |

Strain gauge summing-up signal

| | | | | | | |
|--------|-------|---|--------|---|--------|---|
| ⊥ | - | + | - | + | - | + |
| 1 | 2 | 3 | 4 | 5 | 6 | 7 |
| shield | sense | | supply | | signal | |

SIXFOLD STRAIN GAUGE SUMMING-UP CONNECTION BOX

SIXFOLD STRAIN GAUGE SUMMING-UP CONNECTION BOX